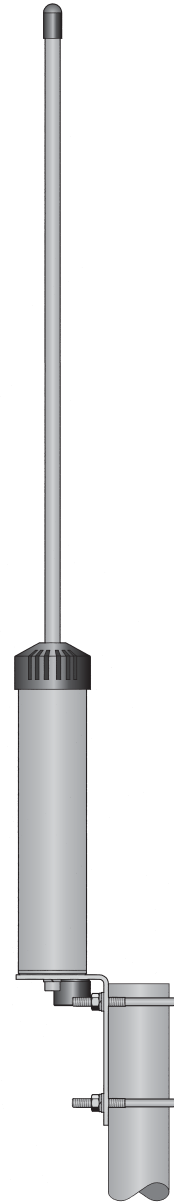
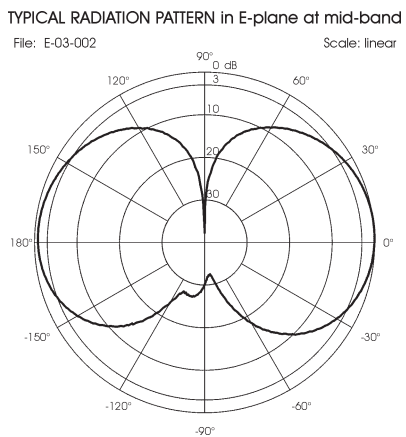
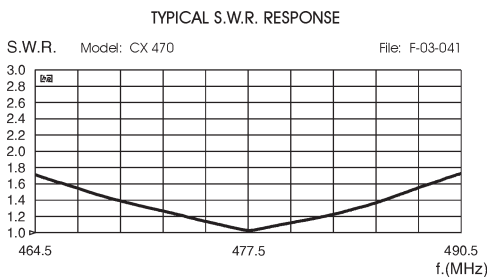
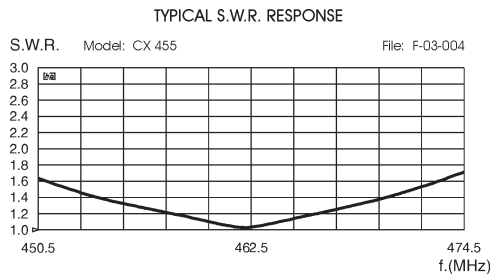
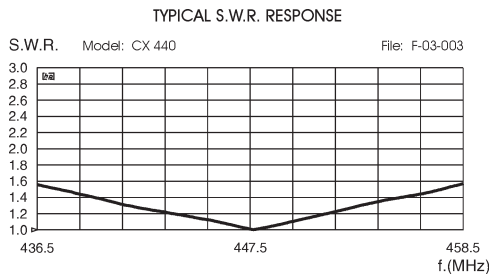
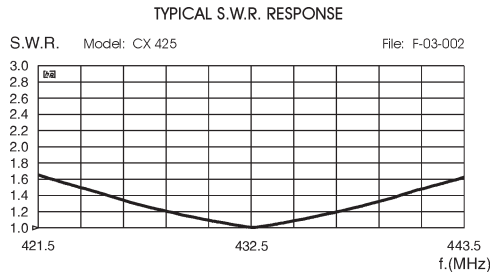
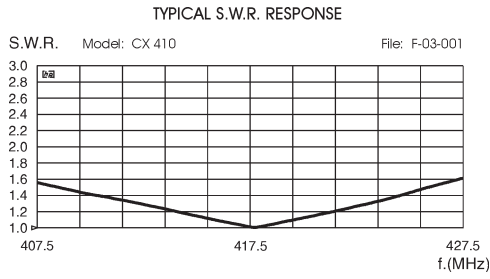
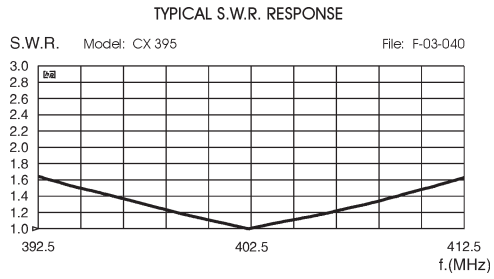
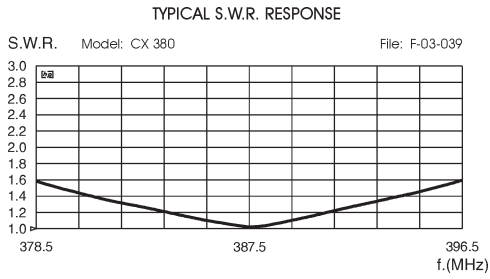


CX 70cm series

UHF Base Station Antennas 380...485 MHz



Installation Manual

DESCRIPTION

3/4 λ UHF antennas for base station service made of hi-quality materials to get the maximum efficiency and the best performance. It is completely manufactured with aluminium tubes and nylon for its great robustness and it is supplied with a solid steel bracket for an easy and safe installation everywhere. Its Gamma Match feed makes it earthed for a perfect protection against the discharges. In the mentioned range of frequencies, no adjustments are required. Simple and strong it is particularly recommended for a professional use.

SPECIFICATIONS

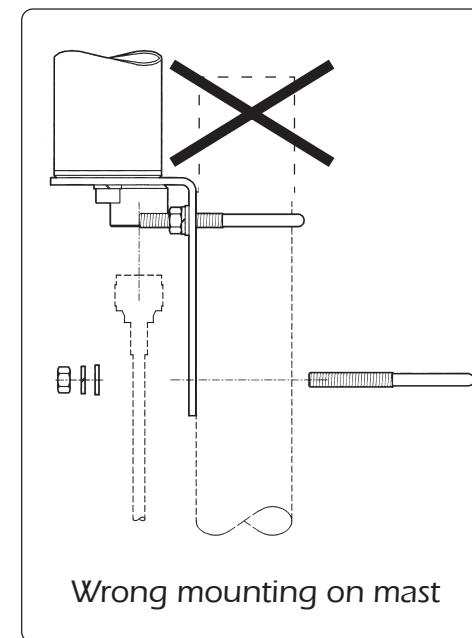
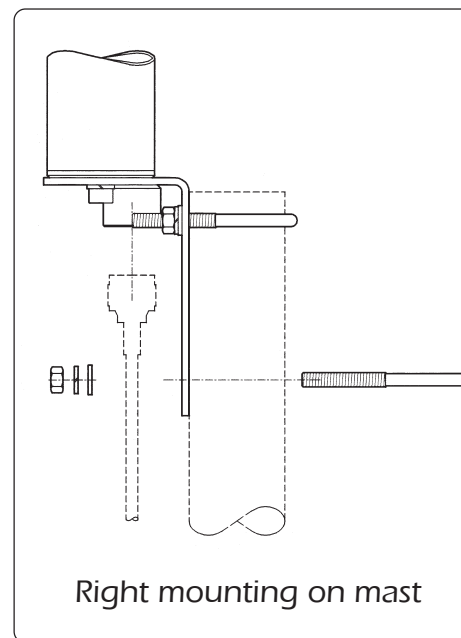
Electrical Data

| | |
|----------------------------------|--|
| Type | : 3/4 λ Coax. J-Pole |
| Frequency Range @ SWR \leq 1.5 | : CX 380 380 - 395 MHz |
| | : CX 395 395 - 410 MHz |
| | : CX 410 410 - 425 MHz |
| | : CX 425 425 - 440 MHz |
| | : CX 440 440 - 455 MHz |
| | : CX 455 455 - 470 MHz |
| | : CX 470 470 - 485 MHz |
| Impedance | : 50 Ω Unbalanced |
| Radiation (H-Plane) | : 360° Omnidirectional |
| Radiation (E-Plane) | : Beamwidth at -3 dB = 60° |
| Polarization | : Vertical |
| Gain | : 2 dBd - 4.15 dBi |
| Bandwidth @ SWR 2.0 | : CX 380 \geq 26.7 MHz, CX 395 \geq 28.7 MHz |
| | : CX 410 \geq 30.8 MHz, CX 524 \geq 30.7 MHz |
| | : CX 440 \geq 33.5 MHz, CX 455 \geq 32 MHz |
| | : CX 470 \geq 34.6 MHz |
| SWR @ res. freq. | : \leq 1.2 |
| Max Power | : 200 Watts |
| Feed System / Position | : Gamma Match / Base |
| Connector | : N-Female |

Mechanical Data

| | |
|------------------------|----------------------------------|
| Materials | : Nylon, Brass, Steel, Aluminium |
| Wind Load / Resistance | : 25 N at 150 Km/h / 180 Km/h |
| Wind Surface | : 0.02 m ² |
| Height (approx.) | : from 558 mm to 665 mm |
| Weight (approx.) | : 450 gr |
| Mounting Mast | : \varnothing 35-42 mm |

MOUNTING INSTRUCTIONS



HARDWARE PARTS LIST

| Qty | Descriptions |
|-----|----------------|
| n.2 | U-bolts |
| n.4 | M6 flat washer |
| n.4 | M6 lock washer |
| n.4 | M6 hex nut |